

## Electrical

175mA at 12VDC - 88mA at 24VDC  
(both voltages rated for continuous use)

## Monitoring (ES2600 only)

Door / Latch Monitor - 3 amp changeover microswitch  
Solenoid Monitor - 3 amp N/O, N/C microswitch

## Mechanical

AS4145.2 Compliant & UL1034 Approved  
Anti friction roller (patented)  
Suites panic bars with 15 to 20 mm pullman latch  
Projection Cycle tested to 1,000,000 operations

## Warranty

Protected by **TRICARE** 5 year warranty

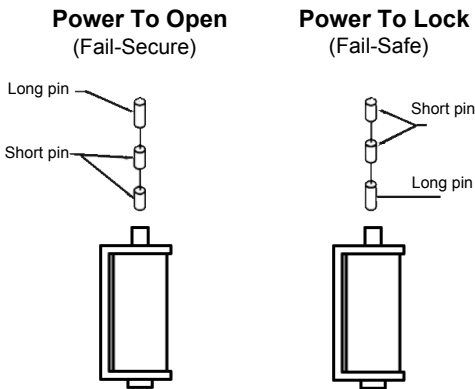
## Environmental

Operational temperature range -20C to +60C

## Shipping

Product weight =750 grams  
Product in box =800 grams  
Box size = 250 X 60 x 50 mm

## Patented Innovation - as easy as this

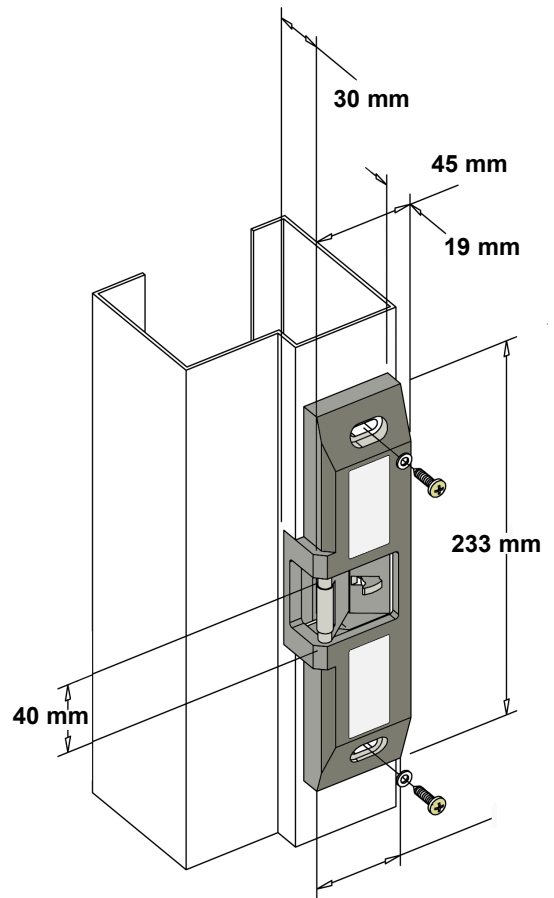


### Power To Open:

When power is supplied to the strike, the unit is unlocked. If power fails, the strike is locked and the door is secured.

### Power To Lock:

When power is supplied to the strike, the unit is locked. If power fails, the strike is unlocked, and the door is unlocked for exit.



## Specification Statement

The electric strike should be of a type which will operate smoothly with a standard "Pullman" type latch as used with standard push or crash bars. The electric strike should have a maximum penetration into the doorframe of 12mm and be semi-surface mounted. The strike should have the functionality to swap from "Power to Lock" or "Power to Open" on-site and have a solenoid rated for continuous use. For normal egress functions, the interface between the Pullman latch and the strike keeper should allow low energy operation of the crash bar even with high pre-load on the door

## Distributed By:

